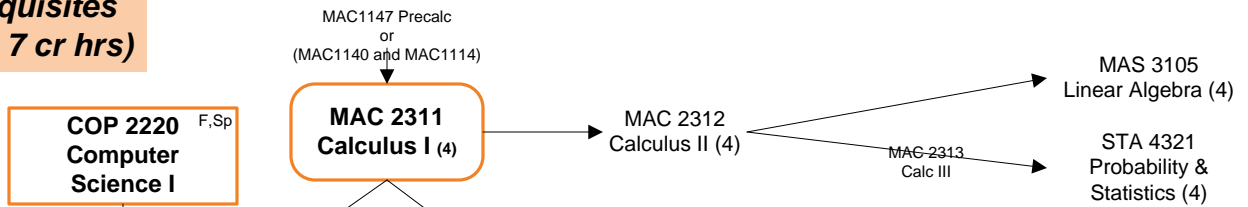


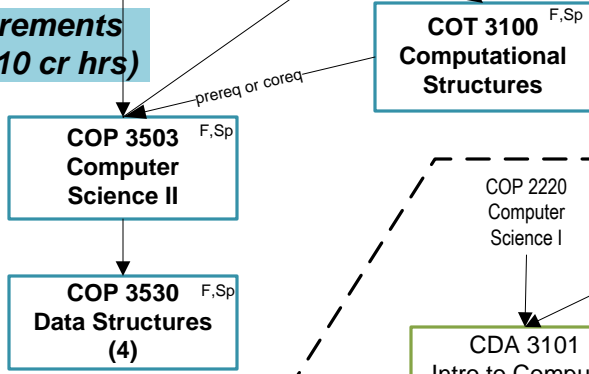
University-wide COMPUTER SCIENCE MINOR (revised for Fall 2005 catalog)

- Minor = 22.0 required upper hours + 7.0 prerequisite lower hours
- At least 14 hours of upper-level coursework must be taken at UNF.
- As of Spring 2010: not available for majors in School of Computing
- Arrows indicate prerequisite course(s)
- All courses are 3 credit hours unless otherwise indicated
- Pattern of Typical Offering: F=Fall, Sp=Spring (subject to change)
- Satisfactory Progress: A 'one repeat' rule is enforced. Students not completing a CIS prereq or core requirement on the first attempt, including W, WP, or WF, will have only one chance to repeat the course.

Minor Prerequisites (2 courses = 7 cr hrs)

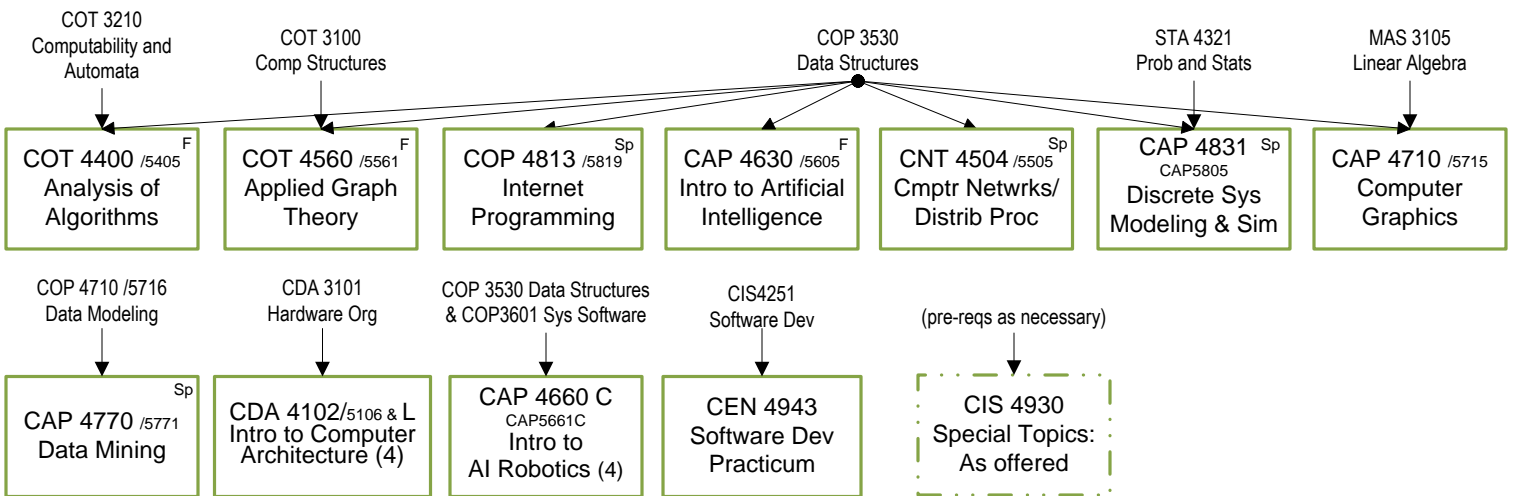
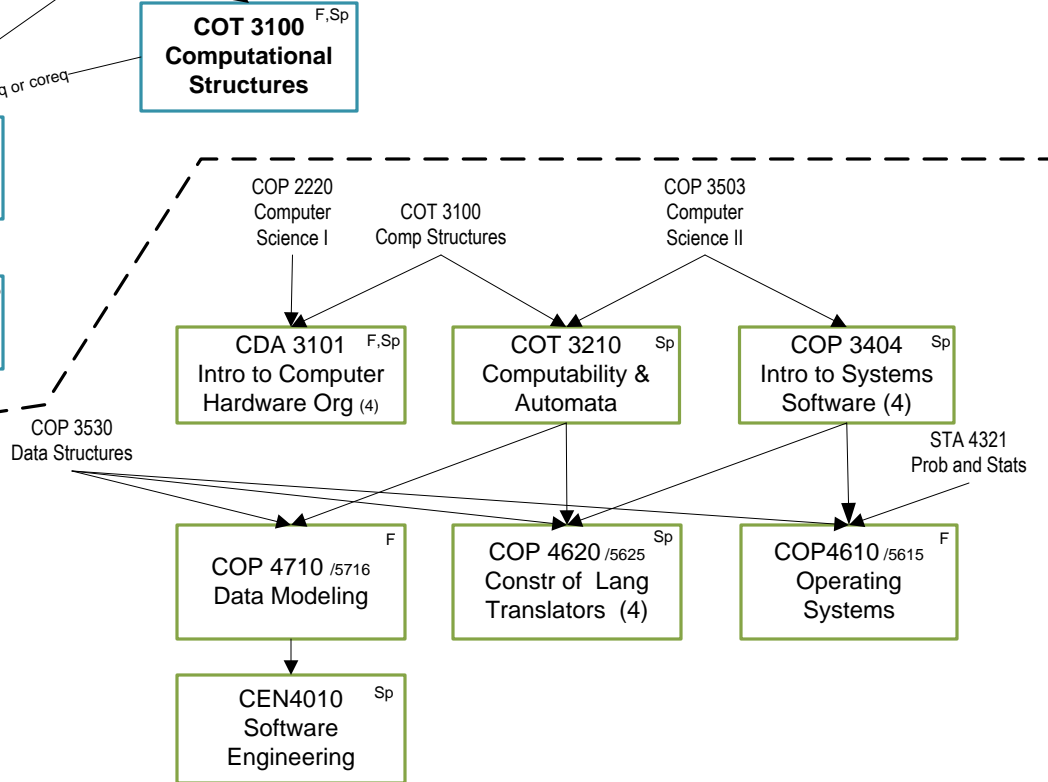


Minor Requirements (3 courses = 10 cr hrs)



Minor Electives (pick 4 courses = 12-13 cr hrs)

Note: All course prerequisites must be met before taking any elective.



rev 10/17/05, 6/22/11
update course numbers 8/2/10, 9/30/11